

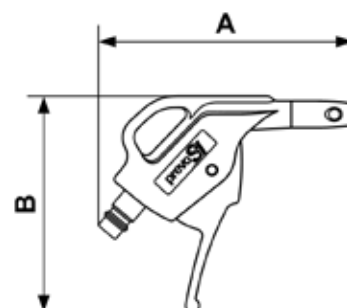
PREVOS1 BLOW GUNS ON CLIP - EUROPEAN - 7.4 MM

PROFILE

PREVOS1 blow gun with OSHA

nozzle

Profile : EUROPEAN



Force of blow-molding 260 (G)	Flow rate at 6 bar 1 (BAR)	ID passage (mm) 7.4 mm
---	--------------------------------------	----------------------------------

Part number	Flow rate at 6 bar (l/min)	Sound level (DBA)	Length (m)	ID passage (mm)	Dim. A (mm)	Dim. B (mm)
EBG 07OSHP	220	87	0.05	7.4 mm	114	97